



LIPPMANN GLOBAL

# LC-20/20R CONE CRUSHER



# BEYOND YOUR EXPECTATIONS

Lippmann has a rich 100 year history of designing and delivering heavy duty crushing and screening solutions globally.

Lippmann Global combines the reliability and durability of its crushers with track technology to create the most robust and mobile products on the market.

We are committed to your success today and in the future by representing a higher standard of premium quality.

The Lippmann Global experience extends beyond well-crafted engineering to include benefits designed around your real needs and wants, respecting how you do business.

We go beyond traditional expectations.

## LIPPMANN GLOBAL FEATURES

4-year / 6000h warranty

Base unit

Belt scraper

Hopper extension

Safety beacons

Tough-flex feeder belt

Wear pleate in hopper

Working lights

LC-20/20R

# LIPPMANN GLOBAL CONE CRUSHERS

Lippmann Global LC Series cone crushers are built on the foundations of over 100 years of crushing expertise. Continuous design innovation has resulted in one of the most precise and efficient cone crushers on the market today.

## CRUSHING CAVITY SELECTION - STANDARD

Cavity	Minimum Setting	Feed Opening
Fine	13 mm	95 mm
Medium	17 mm	125 mm
Course	19 mm	185 mm

\*Crushing size for C200

### Brass bushing

Withstand higher crushing force, achieve higher throw, and a larger speed range for longer operating lifetime

### Cylinders with high hold force

Sets limits for maximum crushing force, and ensures stability in feed, process and recirculation

### Closed side setting

Hydraulic adjustment

### Unrestricted feed opening

Improves feed intake and reduces risk of blockage. Enables end production gradation and capacity in fine and extra fine application

### Material level adjustment

Maintains cone choke for maximum crushing productivity and liner wear

### Cavity

Wide variety for adapting to different applications

### Liner

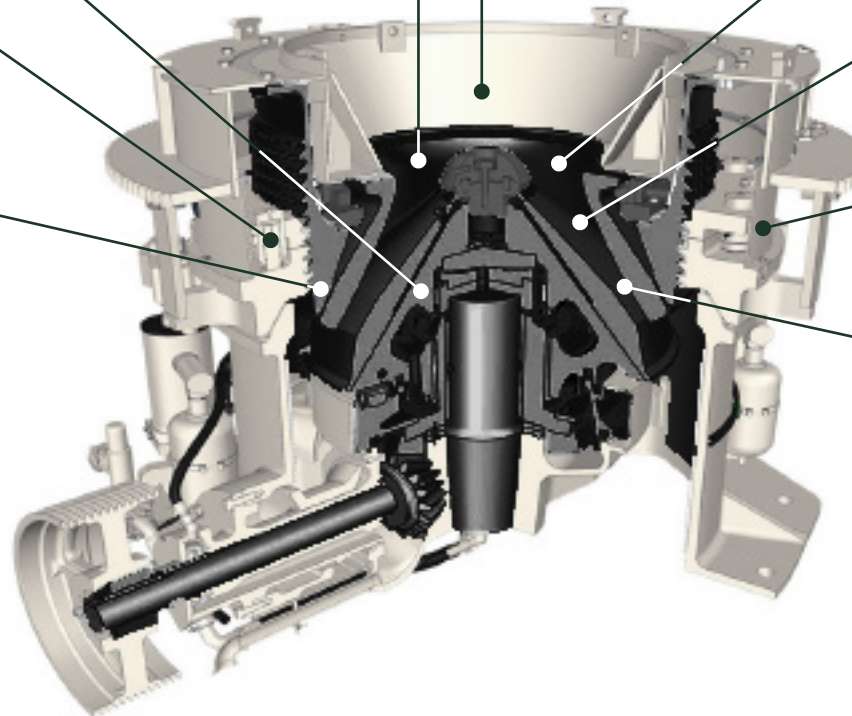
Easy to change and easy to open the crusher by rotating the liner bowl

### Tramp release

Reactive and efficient with instant recovery functionality and no need for readjustment

### Multi-layer crushing

Greater capacity, reduction and end product shape with less liner wear



# LC-20 TECHNICAL SPECIFICATIONS

## CRUSHING CHAMBER

Feed Opening	914mm
Crusher Drive	Direct Drive
Min. Opening	13mm   95mm
Max. Opening	19mm   185mm
CSS Adjustment	Hydraulic
Level Sensor	Ultrasonic
Throw	77mm

## HOPPER

Hopper Length	3780mm
Hopper Width	2200mm
Hopper Volume	5m <sup>3</sup>
Hopper Material	6mm sides + 10mm liners

## FEEDER

Feeder Width	800mm
Feeder Belt Width	1050mm
Adjustable Speed	YES
Drive	Hydraulic

## CONVEYOR

Stockpile Height	3554mm
Belt Width	1200mm
Angle Adjustable	YES
Quick Release	YES

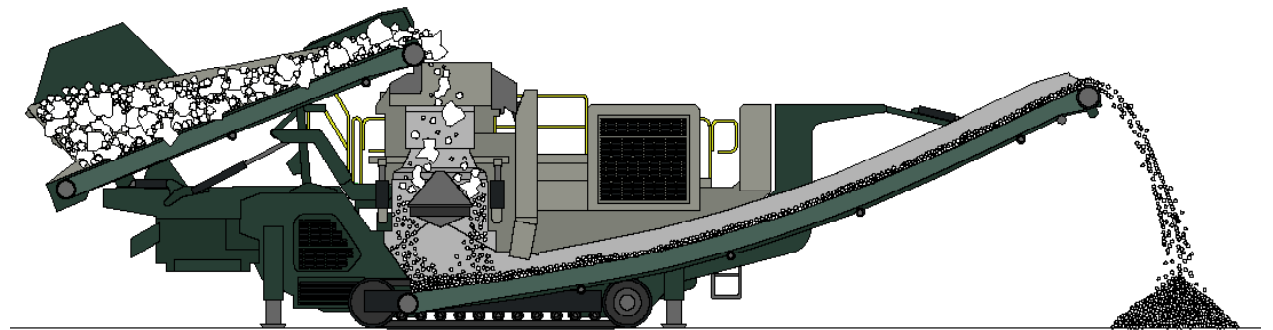
## ENGINE

Engine Power	268kW
Fuel Tank Capacity	595 L
Hydraulic Tank Capacity	650 L

## DIMENSIONS

Transport Length	16.4m
Transport Width	2.8m
Transport Height	3.4m

<b>TOTAL WEIGHT</b>	<b>40,470 KG (EST.)</b>
---------------------	-------------------------



# LC-20R TECHNICAL SPECIFICATIONS

## CRUSHING CHAMBER

Feed Opening	914mm
Crusher Drive	Direct Drive
Min. Opening	13mm   95mm
Max. Opening	19mm   185mm
CSS Adjustment	Hydraulic
Level Sensor	Ultrasonic
Throw	77mm

## HOPPER

Hopper Length	3780mm
Hopper Width	2200mm
Hopper Volume	5m <sup>3</sup>
Hopper Material	6mm sides + 10mm liners

## FEEDER

Feeder Width	800mm
Feeder Belt Width	1050mm
Adjustable Speed	YES
Drive	Hydraulic

## CONVEYOR

Stockpile Height	4236mm
Belt Width	1200mm
Angle Adjustable	YES
Quick Release	YES

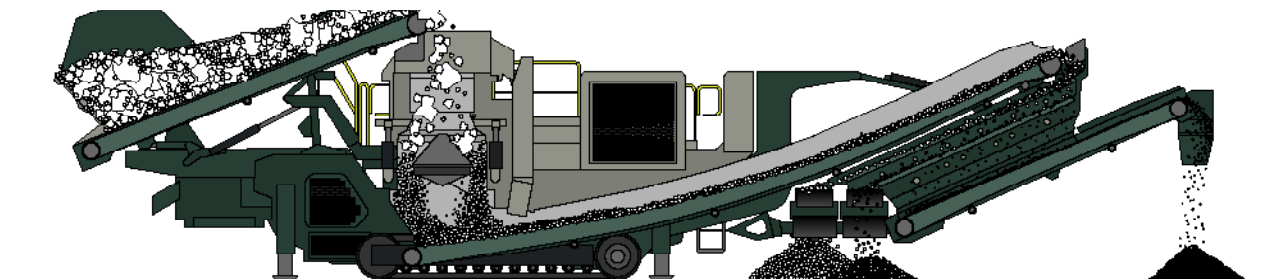
## ENGINE

Engine Power	268 kW
Fuel Tank Capacity	595 L
Hydraulic Tank Capacity	650 L

## DIMENSIONS

Transport Length	18.52m
Transport Width	3.49m
Transport Height	3.4m

<b>TOTAL WEIGHT</b>	<b>48,430 KG (EST.)</b>
---------------------	-------------------------





[www.lippmannglobal.com](http://www.lippmannglobal.com)

[sales@lippmannglobal.com](mailto:sales@lippmannglobal.com)

Lippmann Global reserves the right to make changes to the information and design of the machines in this brochure without reservation or notification to users. Lippmann Global assumes no liability resulting from errors or omissions in this document.

© Lippmann Global 2021.