



LIPPMANN GLOBAL

LC-30/30R CONE CRUSHER



BEYOND YOUR EXPECTATIONS

Lippmann has a rich 100 year history of designing and delivering heavy duty crushing and screening solutions globally.

Lippmann Global combines the reliability and durability of its crushers with track technology to create the most robust and mobile products on the market.

We are committed to your success today and in the future by representing a higher standard of premium quality.

The Lippmann Global experience extends beyond well-crafted engineering to include benefits designed around your real needs and wants, respecting how you do business.

We go beyond traditional expectations.

LIPPMANN GLOBAL FEATURES

4-year / 6000h warranty

Base unit

Belt scraper

Hopper extension

Safety beacons

Tough-flex feeder belt

Wear pleate in hopper

Working lights

LC-30/30R

LIPPMANN GLOBAL CONE CRUSHERS

Lippmann Global LC Series cone crushers are built on the foundations of over 100 years of crushing expertise. Continuous design innovation has resulted in one of the most precise and efficient cone crushers on the market today.

CRUSHING CAVITY SELECTION - STANDARD

| Cavity | Minimum Setting | Feed Opening |
|--------|-----------------|--------------|
| Fine | 13 mm | 107 mm |
| Medium | 17 mm | 150 mm |
| Course | 19 mm | 211 mm |

*Crushing size for C300

Brass bushing

Withstand higher crushing force, achieve higher throw, and a larger speed range for longer operating lifetime

Cylinders with high hold force

Sets limits for maximum crushing force, and ensures stability in feed, process and recirculation

Closed side setting

Hydraulic adjustment

Unrestricted feed opening

Improves feed intake and reduces risk of blockage. Enables end production gradation and capacity in fine and extra fine application

Material level adjustment

Maintains cone choke for maximum crushing productivity and liner wear

Cavity

Wide variety for adapting to different applications

Liner

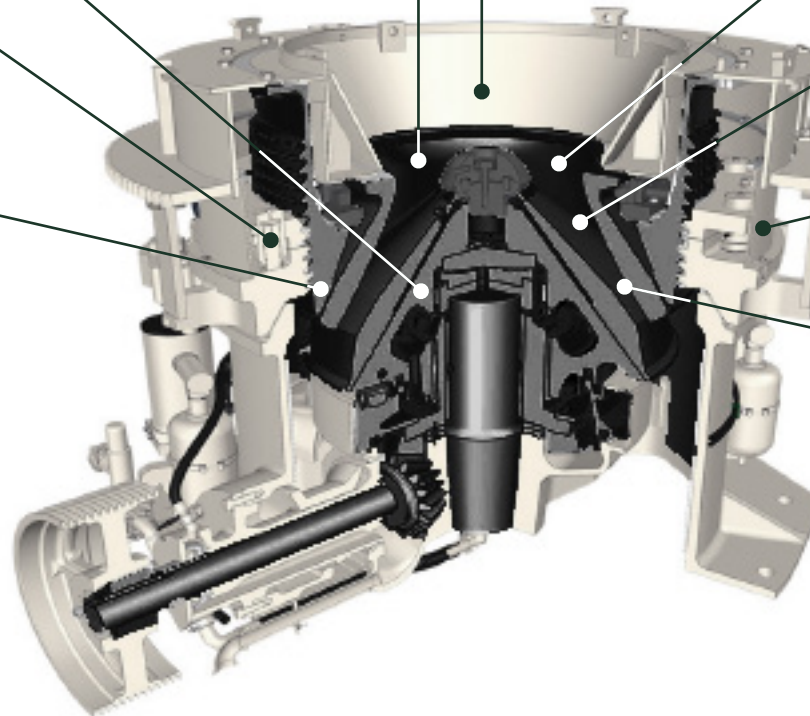
Easy to change and easy to open the crusher by rotating the liner bowl

Tramp release

Reactive and efficient with instant recovery functionality and no need for readjustment

Multi-layer crushing

Greater capacity, reduction and end product shape with less liner wear



LC-30 TECHNICAL SPECIFICATIONS

CRUSHING CHAMBER

| | |
|----------------|--------------|
| Feed Opening | 1050mm |
| Crusher Drive | Direct Drive |
| Min. Opening | 13mm 95mm |
| Max. Opening | 19mm 211mm |
| CSS Adjustment | Hydraulic |
| Level Sensor | Ultrasonic |
| Throw | 84mm |

HOPPER

| | |
|-----------------|-------------------------|
| Hopper Length | 3780mm |
| Hopper Width | 2200mm |
| Hopper Volume | 5m ³ |
| Hopper Material | 6mm sides + 10mm liners |

FEEDER

| | |
|-------------------|-----------|
| Feeder Width | 910mm |
| Feeder Belt Width | 1200mm |
| Adjustable Speed | YES |
| Drive | Hydraulic |

CONVEYOR

| | |
|------------------|--------|
| Stockpile Height | 3887mm |
| Belt Width | 1200mm |
| Angle Adjustable | YES |
| Quick Release | YES |

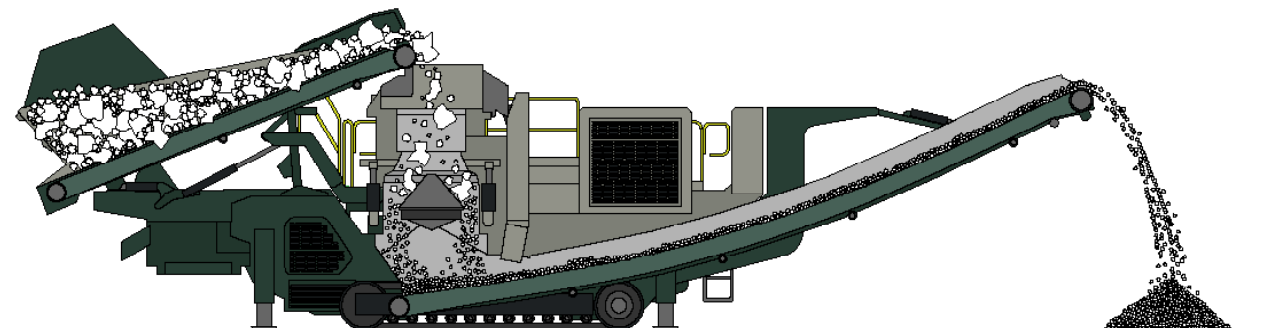
ENGINE

| | |
|-------------------------|---------------|
| Engine Power | 328kW - 380kW |
| Fuel Tank Capacity | 1100 L |
| Hydraulic Tank Capacity | 800 L |

DIMENSIONS

| | |
|------------------|--------|
| Transport Length | 20.65m |
| Transport Width | 3.83m |
| Transport Height | 3.6m |

| | |
|---------------------|-------------------------|
| TOTAL WEIGHT | 62,000 KG (EST.) |
|---------------------|-------------------------|



LC-30R TECHNICAL SPECIFICATIONS

CRUSHING CHAMBER

| | |
|----------------|--------------|
| Feed Opening | 1050mm |
| Crusher Drive | Direct Drive |
| Min. Opening | 13mm 95mm |
| Max. Opening | 19mm 211mm |
| CSS Adjustment | Hydraulic |
| Level Sensor | Ultrasonic |
| Throw | 84mm |

HOPPER

| | |
|-----------------|-------------------------|
| Hopper Length | 3780mm |
| Hopper Width | 2200mm |
| Hopper Volume | 5m ³ |
| Hopper Material | 6mm sides + 10mm liners |

FEEDER

| | |
|-------------------|-----------|
| Feeder Width | 910mm |
| Feeder Belt Width | 1200mm |
| Adjustable Speed | YES |
| Drive | Hydraulic |

CONVEYOR

| | |
|------------------|--------|
| Stockpile Height | 3887mm |
| Belt Width | 1200mm |
| Angle Adjustable | YES |
| Quick Release | YES |

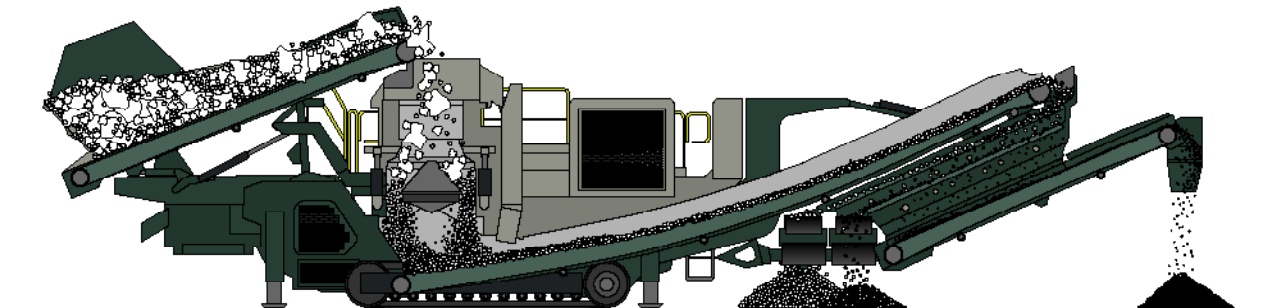
ENGINE

| | |
|-------------------------|---------------|
| Engine Power | 328kW - 380kW |
| Fuel Tank Capacity | 1100 L |
| Hydraulic Tank Capacity | 800 L |

DIMENSIONS

| | |
|------------------|--------|
| Transport Length | 20.65m |
| Transport Width | 3.83m |
| Transport Height | 3.6m |

TOTAL WEIGHT 62,000 KG (EST.)





www.lippmannglobal.com

sales@lippmannglobal.com

Lippmann Global reserves the right to make changes to the information and design of the machines in this brochure without reservation or notification to users. Lippmann Global assumes no liability resulting from errors or omissions in this document.

© Lippmann Global 2021.