



LIPPMANN GLOBAL

# LSF-30R FEEDER STACKERS



# BEYOND YOUR EXPECTATIONS

Lippmann has a rich 100 year history of designing and delivering heavy duty crushing and screening solutions globally.

Lippmann Global combines the reliability and durability of its crushers with track technology to create the most robust and mobile products on the market.

We are committed to your success today and in the future by representing a higher standard of premium quality.

The Lippmann Global experience extends beyond well-crafted engineering to include benefits designed around your real needs and wants, respecting how you do business.

## LIPPMANN GLOBAL FEATURES

4-year / 6000h warranty

Base unit

Belt scraper

Hopper bridge

Tough-flex belt on feeder

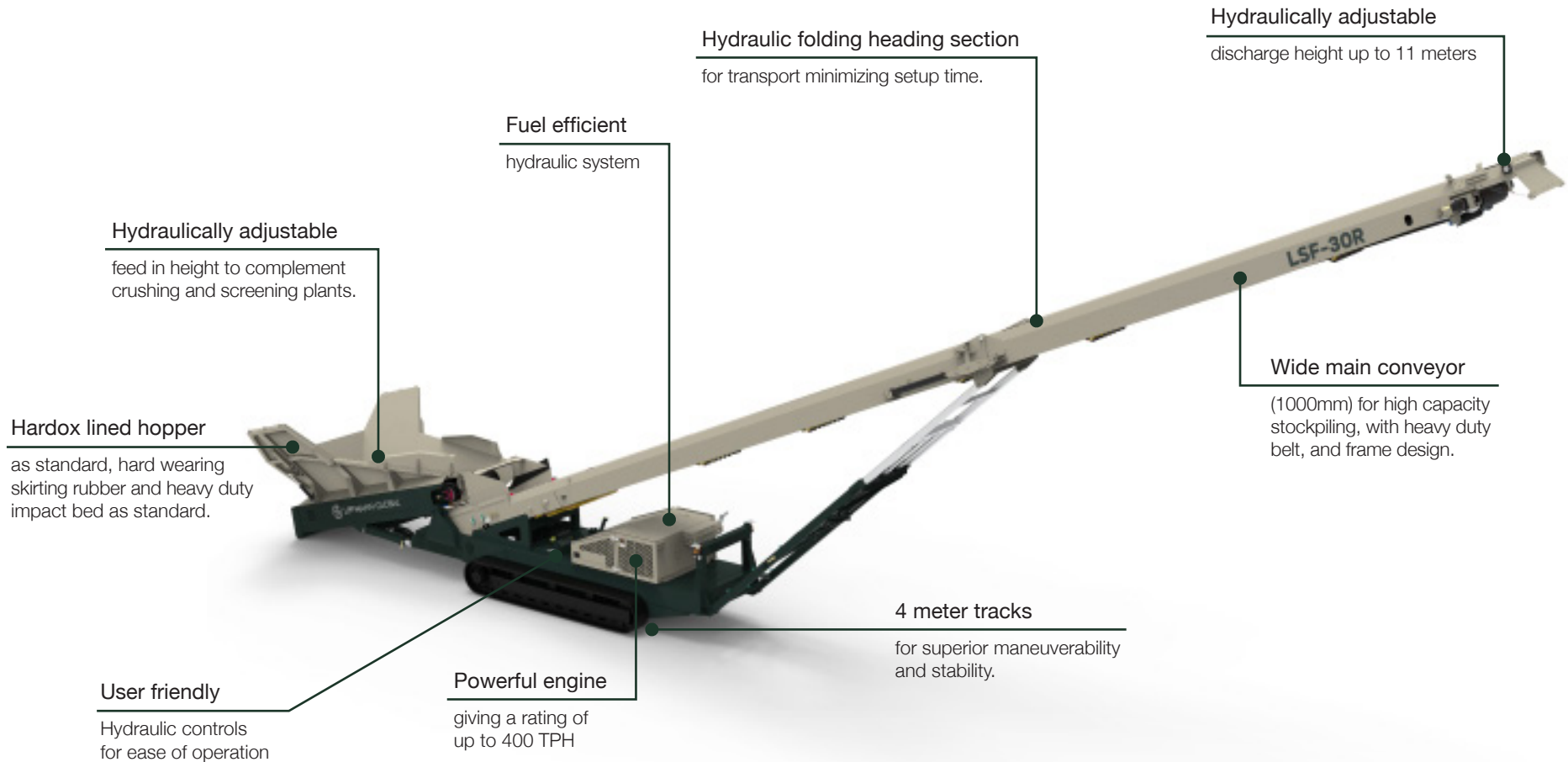
Wear plate in hopper

Working lights

# LSF-30R

# LIPPMANN GLOBAL FEEDER STACKERS

Lippmann Global's LSF Series Feeder Stackers maximize efficiency when handling and stockpiling a broad range of materials, all of which can be fed directly into the hopper with large loaders and excavators.



### Hydraulically adjustable

feed in height to complement crushing and screening plants.

### Hardox lined hopper

as standard, hard wearing skirting rubber and heavy duty impact bed as standard.

### User friendly

Hydraulic controls for ease of operation

### Fuel efficient

hydraulic system

### Powerful engine

giving a rating of up to 400 TPH

### Hydraulic folding heading section

for transport minimizing setup time.

### 4 meter tracks

for superior maneuverability and stability.

### Hydraulically adjustable

discharge height up to 11 meters

### Wide main conveyor

(1000mm) for high capacity stockpiling, with heavy duty belt, and frame design.

# LSF-30R TECHNICAL SPECIFICATIONS

## FEEDER CONVEYOR

Belt Width	1200mm
Belt Spec	3-Ply

## HOPPER

Hopper Volume	10m <sup>3</sup>
---------------	------------------

## ENGINE

Engine Power	95kW
Fuel Tank Capacity	390 L
Hydraulic Tank Capacity	516 L

## PRODUCTION

Max Production Rate	800 MP/TH
---------------------	-----------

## CONVEYOR

Belt Width	1400mm
Adjustable Speed	YES

## MATERIALS

Sand and Gravel
Aggregates
Compost
Topsoil
C&D Waste
Coal

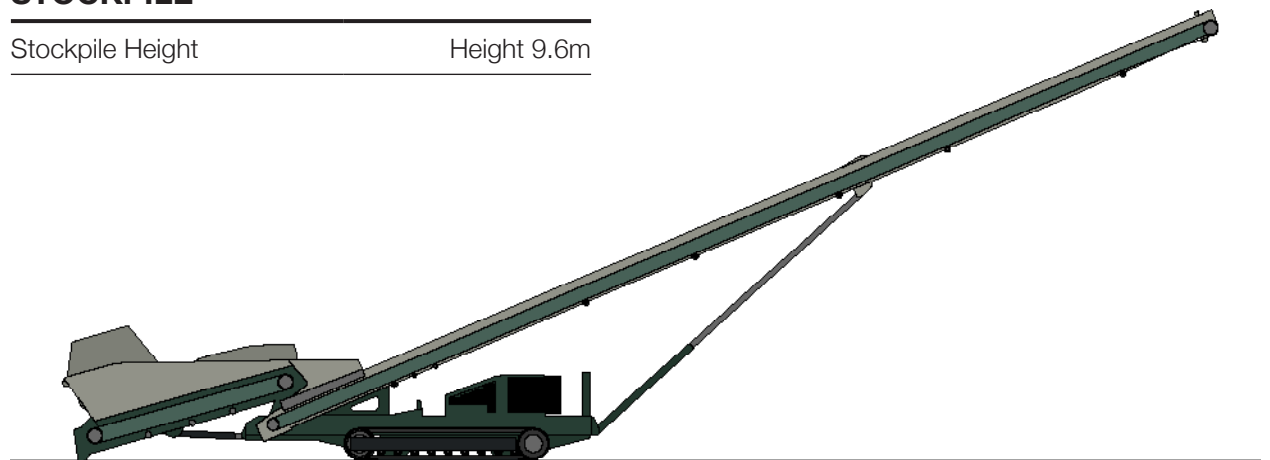
## STOCKPILE

Stockpile Height	Height 9.6m
------------------	-------------

## DIMENSIONS

Transport Length	19.3m
Transport Width	2.9m
Transport Height	3.2m
Working Length	26.1m
Working Height	10.2m

<b>TOTAL WEIGHT</b>	<b>24,500 KG (EST.)</b>
---------------------	-------------------------





[www.lippmannglobal.com](http://www.lippmannglobal.com)

[sales@lippmannglobal.com](mailto:sales@lippmannglobal.com)

Lippmann Global reserves the right to make changes to the information and design of the machines in this brochure without reservation or notification to users. Lippmann Global assumes no liability resulting from errors or omissions in this document.

© Lippmann Global 2021.