



300C CONE CRUSHER

MAKING PREMIUM OUR STANDARD

Lippmann has a rich 100 year history of designing and delivering heavy duty crushing and screening solutions globally.

Lippmann combines the reliability and durability of its crushers with track technology to create the most robust and mobile products on the market.

We are committed to your success today and in the future by representing a higher standard of premium quality.

The Lippmann experience extends beyond well-crafted engineering to include benefits designed around your real needs and wants, respecting how you do business.

We go beyond traditional expectations.

FEATURES

Wear Plate in Hopper
Water Pump and Dust Suppression System
Intergrated Hopper with Folding Rear Door
External Belt Alignment Points
Refueling Pump

PREMIUMS

Working Lights
Tough-Flex Feeder Belt
Safety Beacons
Belt Scale
Engine Safety Shutdown Systems
4 Year / 6000 Hour Warranty

OPTIONS

Hopper Extensions
Various Cone Liner Options

300C

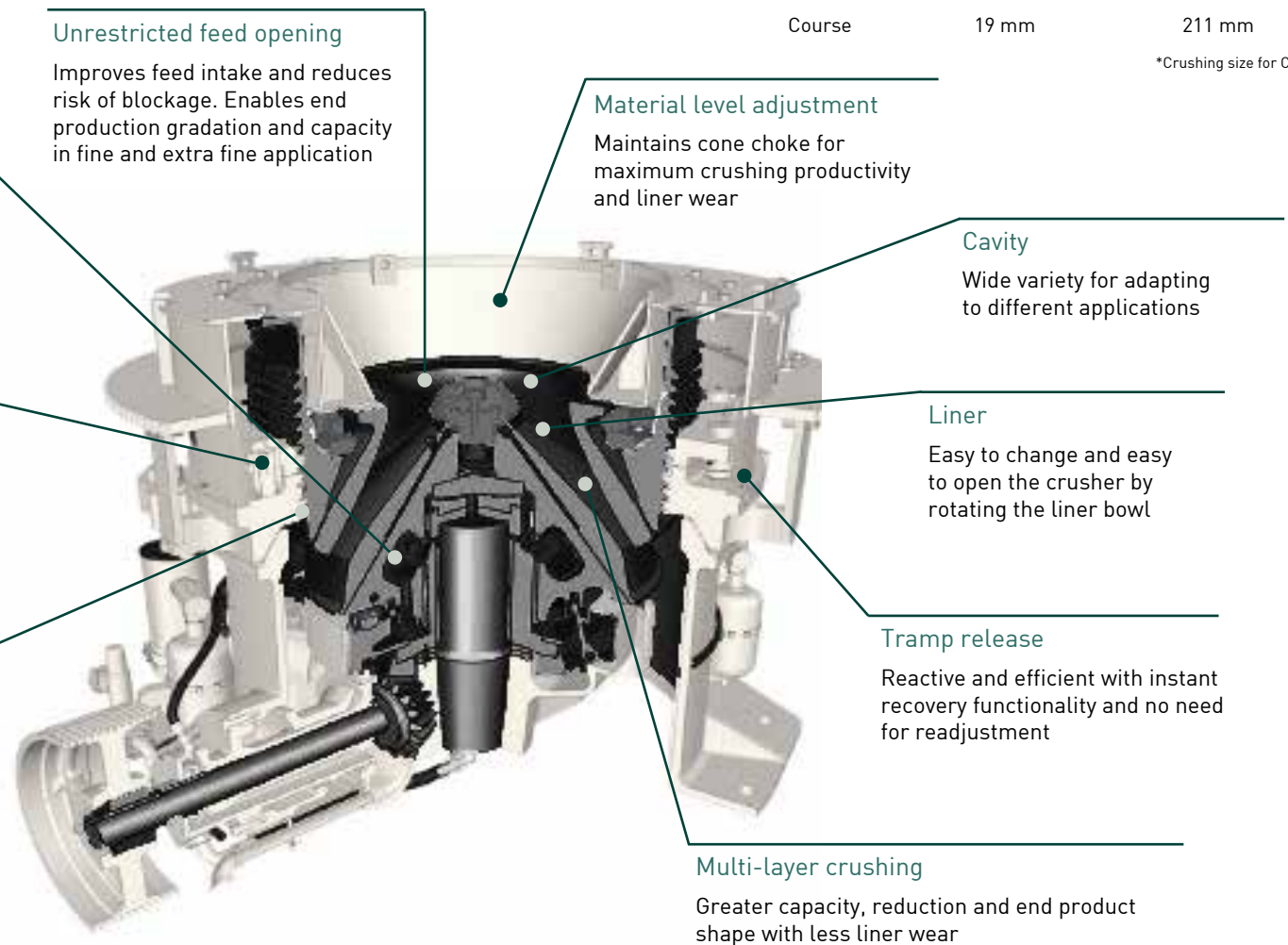
LIPPMANN CONE CRUSHERS

Lippmann 200 Series cone crushers are built on the foundations of over 100 years of crushing expertise. Continuous design innovation has resulted in one of the most precise and efficient cone crushers on the market today.

CRUSHING CAVITY SELECTION - STANDARD

Cavity	Minimum Setting	Feed Opening
Fine	13 mm	107 mm
Medium	17 mm	150 mm
Course	19 mm	211 mm

*Crushing size for C300



Brass bushing

Withstand higher crushing force, achieve higher throw, and a larger speed range for longer operating lifetime

Unrestricted feed opening

Improves feed intake and reduces risk of blockage. Enables end production gradation and capacity in fine and extra fine application

Material level adjustment

Maintains cone choke for maximum crushing productivity and liner wear

Cavity

Wide variety for adapting to different applications

Cylinders with high hold force

Sets limits for maximum crushing force, and ensures stability in feed, process and recirculation

Liner

Easy to change and easy to open the crusher by rotating the liner bowl

Closed side setting

Hydraulic adjustment

Tramp release

Reactive and efficient with instant recovery functionality and no need for readjustment

Multi-layer crushing

Greater capacity, reduction and end product shape with less liner wear

300C

TECHNICAL SPECIFICATIONS

CRUSHING CHAMBER

Feed Opening	1050mm
Crusher Drive	Direct Drive
Min. Opening	13mm 95mm
Max. Opening	19mm 185mm
CSS Adjustment	Hydraulic
Level Sensor	Ultrasonic
Throw	84mm

HOPPER

Hopper Length	3780mm
Hopper Width	2200mm
Hopper Volume	5m ³

FEEDER

Feeder Width	910mm
Feeder Belt Width	1200mm
Adjustable Speed	YES
Drive	Hydraulic

CONVEYOR

Stockpile Height	3887mm
Belt Width	1200mm
Angle Adjustable	YES
Quick Release	YES

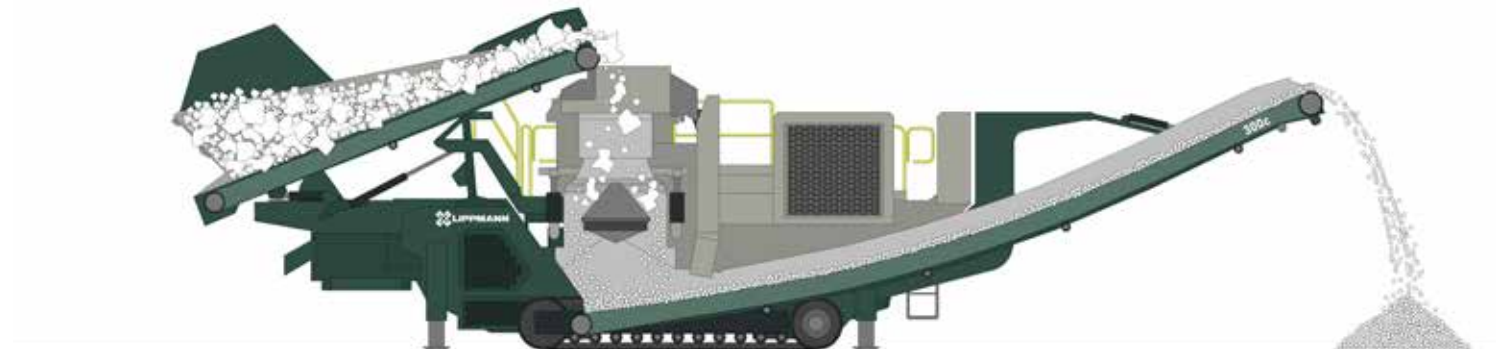
ENGINE

Engine	VOLVO D13 Tier 5 or Tier 3
Engine Power	380 kW (510 Hp)
Fuel Tank Capacity	1100 L
Hydraulic Tank Capacity	800 L

DIMENSIONS

Transport Length	20.65m
Transport Width	3.83m
Transport Height	3.6m

TOTAL WEIGHT	62,000 KG (EST.)
---------------------	-------------------------





www.lippmannglobal.com | sales@lippmannglobal.com

Lippmann Global reserves the right to make changes to the information and design of the machines in this brochure without reservation or notification to users. Lippmann Global assumes no liability resulting from errors or omissions in this document.

© Lippmann 2021.